

Optimum™ Mortice Lock Verona Furniture, 1-Point

ASSA ABLOY

The global leader in
door opening solutions.

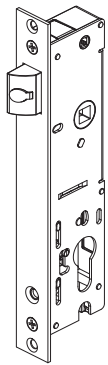
Installation Instructions

Application: Provides 1-Point deadlocking security for aluminium hinged doors.

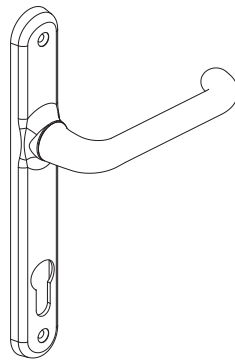
Tools Required:

- Drill
- 3.2mm Drill Bit
- 10.0mm Drill Bit
- 20.0mm Drill Bit
- Phillips Screwdriver #2
- Square Screwdriver #1

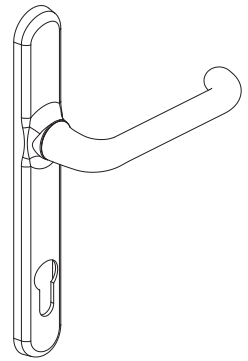
Pack Contents



1-Point Lock



Interior Furniture



Exterior Furniture



M4 Furniture fixing screws



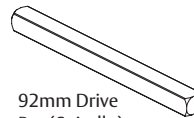
M5 Cylinder fixing screw



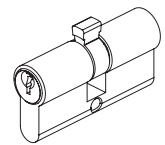
8g x 7.5 Screws



2mm Latch Packer



92mm Drive Bar (Spindle)

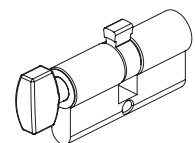


Cylinder Double Key



Latch wear pad

or



Cylinder Key & Turn Knob

Screw Selection:

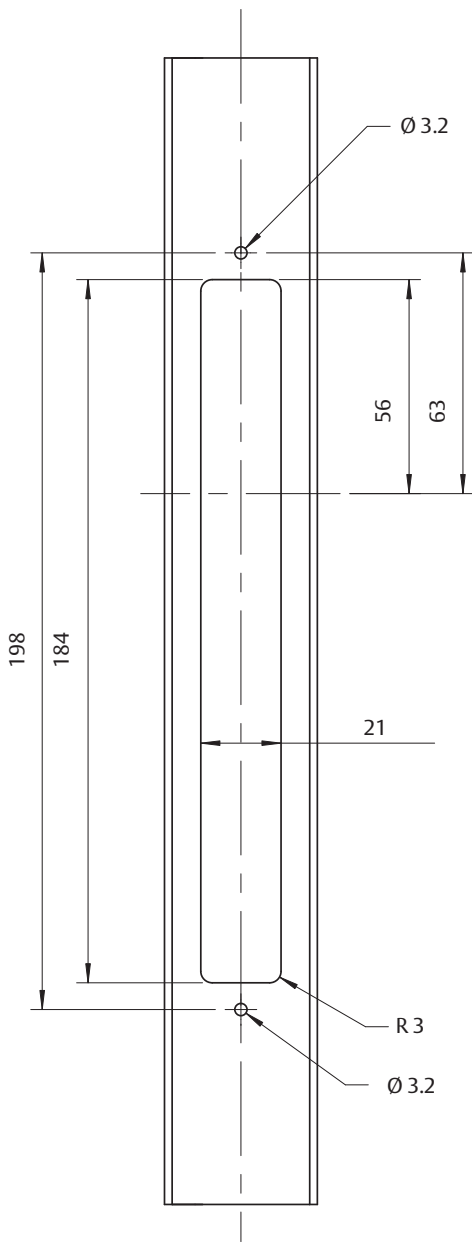
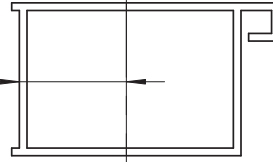
Screw	Stile Width
M4 x 49mm	38 - 43mm
M4 x 55mm	43 - 49mm
M4 x 60mm	46 - 55mm
M4 x 65mm	55 - 58mm

1. Door Preparation

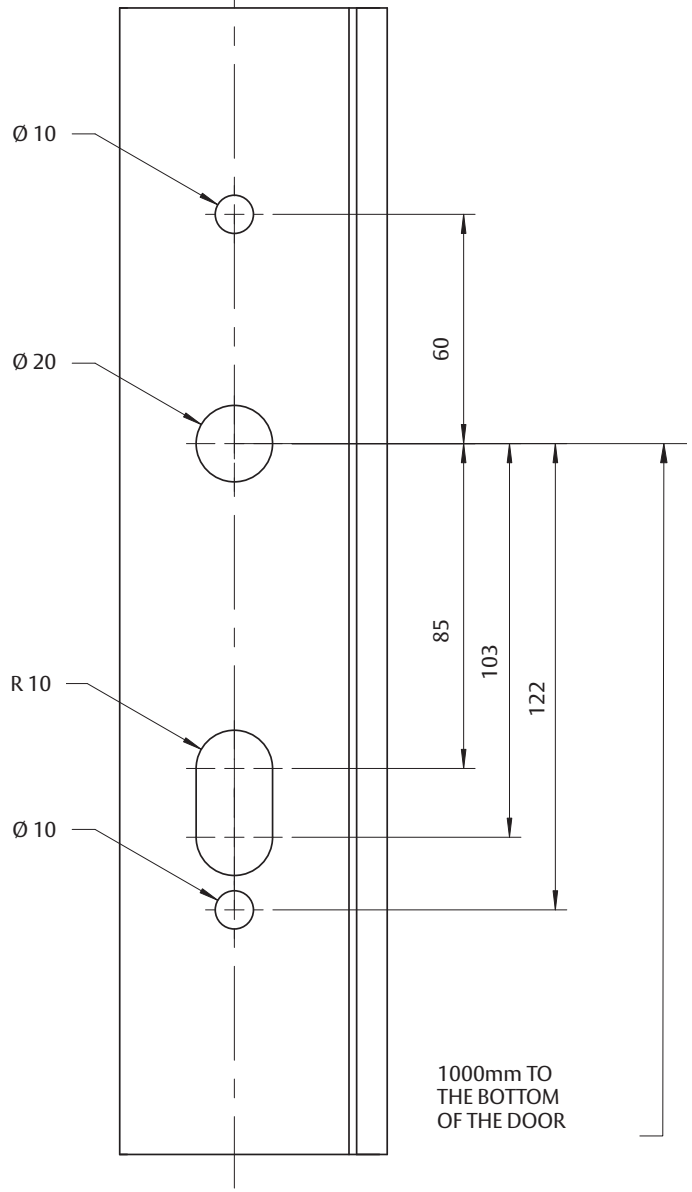
Route the door as shown in the routing diagram.

30mm BACKSET ROUTING IS 28mm FROM FACE

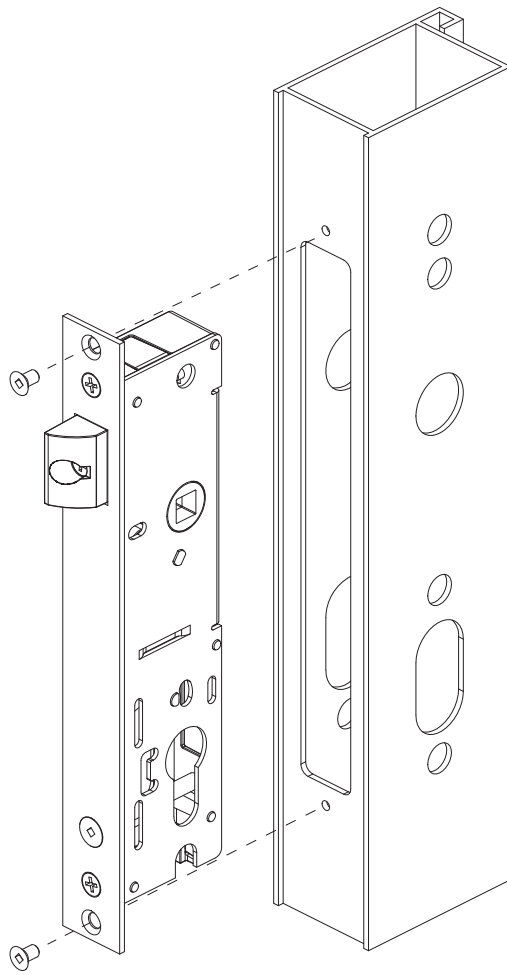
TOP VIEW OF STILE



FRONT VIEW OF STILE

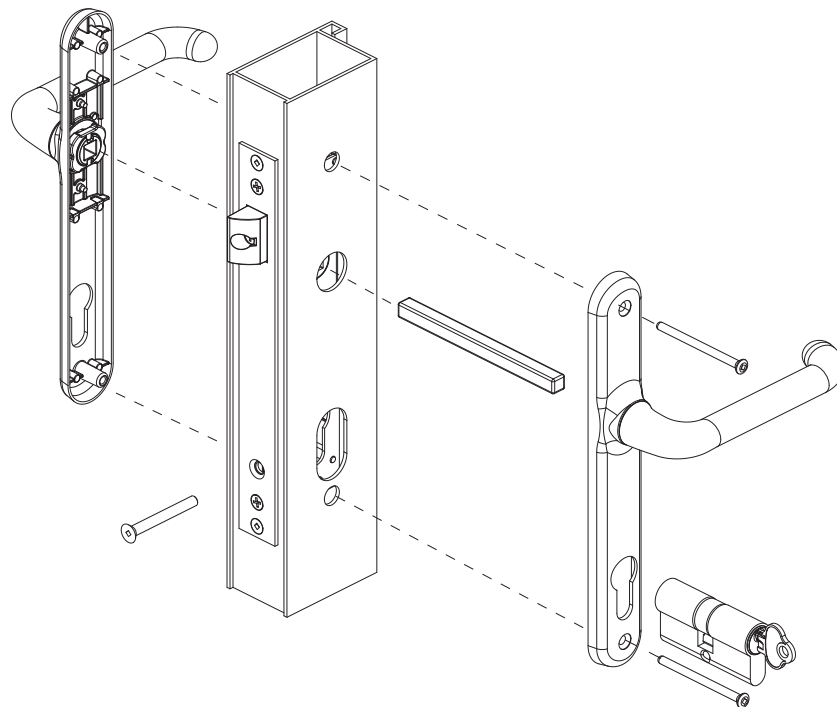


SIDE VIEW OF STILE



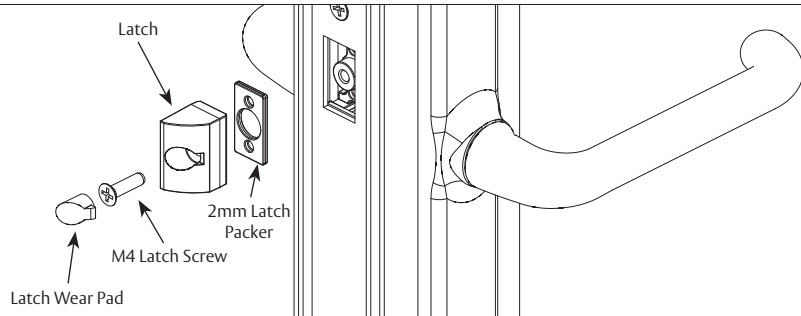
2. Fixing Lock

- Place the lock assembly into the stile
- Fix the lock onto the stile using the two 8g x 7.5 screws



3. Fixing Furniture and Cylinder

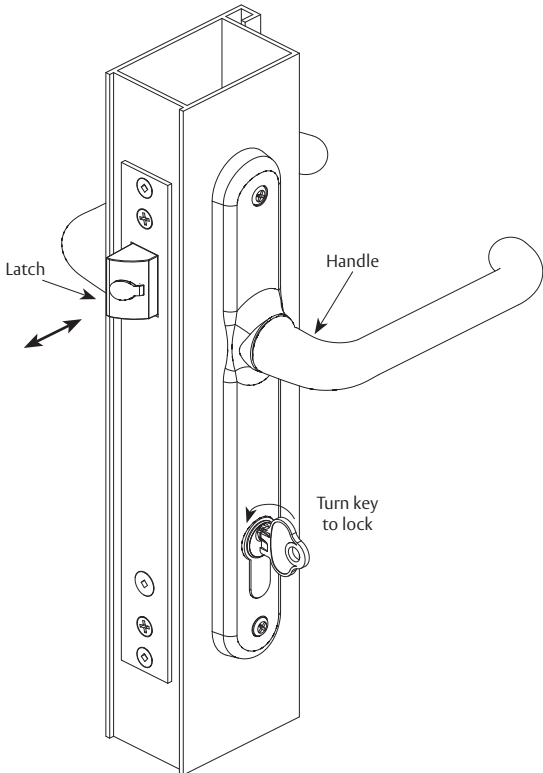
- Insert the drive bar (spindle) through the square drive hole in the lock
- Place the furniture onto the drive bar. For security, ensure the interior handle is on the inside of the house
- Place the cylinder through the cylinder hole
- Fix cylinder using the M5 cylinder fixing screw as supplied
- Fix together the furniture using the two M4 furniture fixing screws. See screw selection chart to determine correct screw length



6. Latch Reversal

- Turn key to lock latch
- Undo the M4 latch screw
- Reverse the latch as desired
- Refasten the M4 latch screw to secure the latch
- Insert the latch wear pad

Note: 2mm Latch Packer is provided to allow for latch projection adjustment. An additional 2mm packer is available for purchase.



7. Lock operation

Locking Operation

- Pull the door shut. The door will self-latch
- Turn the key towards the edge of the door to lock
- The door is now secure from exterior and interior

Opening Operation

- Turn the key away from the door edge to unlock
- Push the handle down to retract the latch

Troubleshooting

Do I need to tap holes?	No. All screws are self tapping.
The furniture screws do not tighten	Ensure the screws line up with the screw boss on the exterior handle.
Do I have to use the supplied screws?	For best performance, it is recommended that only the supplied screws are used.
The key function does not operate	Ensure the motion of the latch is not restricted.

WARRANTY

ASSA ABLOY New Zealand Ltd ("ASSA ABLOY") guarantees its products against defects in workmanship and materials.

If within 10 years of purchase a product is found to be defective, ASSA ABLOY will supply the same or equivalent product free of charge.

All electrical and electronic components used in ASSA ABLOY's range of products excluding batteries are guaranteed for a period of 12 months from the date of proof of purchase, unless stated otherwise.

ASSA ABLOY assumes no liability under the guarantee for the following:

1. Improper installation or failure to follow fitting instructions.
2. Failure due to improper maintenance.
3. Fair wear and tear.
4. Indirect or consequential loss or damage.
5. Cost of removal and/or replacement.
6. Cost of freight and/or travelling time.
7. Damage to or deterioration of plated finishes (soft finishes). As deterioration is possible under some environmental conditions, these finishes are excluded from this guarantee.
8. Any modification or repairs to a product, as supplied, unless authorised by ASSA ABLOY.
9. Use of replacement parts other than authorised parts.
10. Malfunction or failure of the product due to the use of non-genuine ASSA ABLOY parts.

Nothing in the ASSA ABLOY New Zealand Limited Warranty excludes, restricts or modifies any condition, warranty, right or liability implied or protected by law where to do so would render the Warranty, or any part of it, void.

10
YEAR
WARRANTY